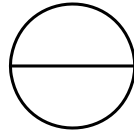


**Tile Tech Inc.**  
Paving America one step at a time!

National Distribution  
Toll Free: 888-380-5575

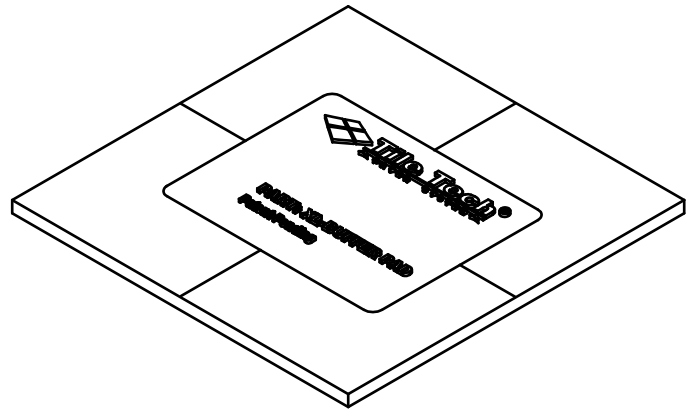
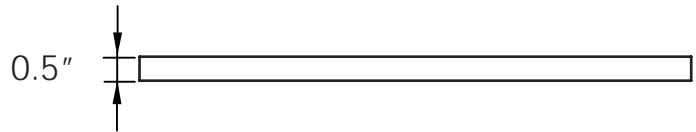
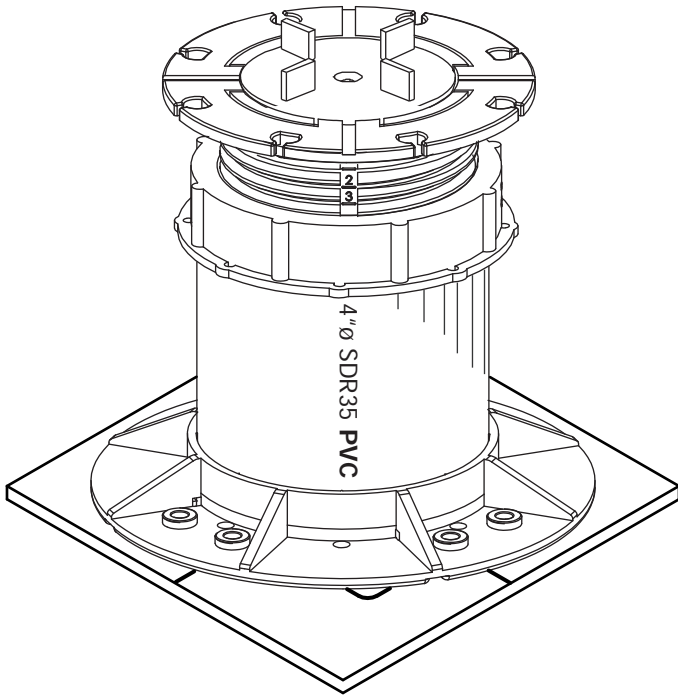
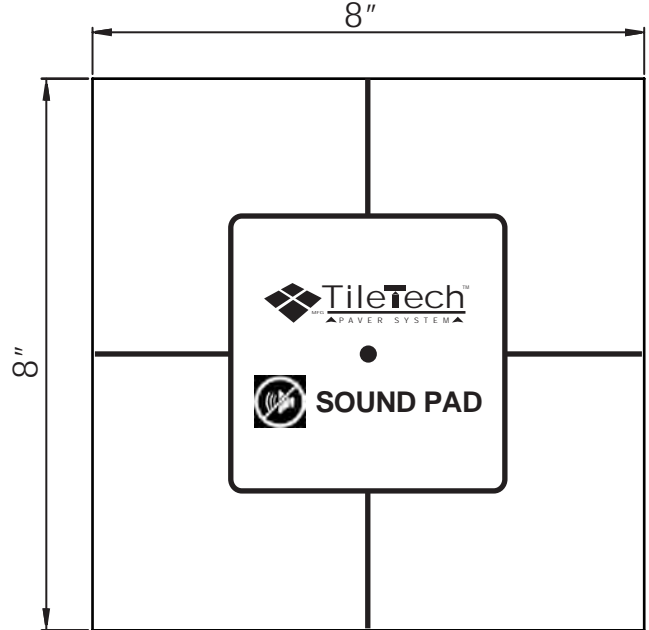
Tel: 213-380-5560  
Fax: 213-380-5561



## SOUND-PAD™ & PEDESTAL APPLICATION

### SOUND PAD DETAILS

THE TILE TECH ENGINEERED RECYCLED RUBBER SOUND-PAD™ USED DIRECTLY UNDER OUR ADJUSTABLE PEDESTALS SYSTEMS AND ON TOP OF THE WATERPROOFING MEMBRANE YIELDING EXCEPTIONAL IMPACT / SHOCK RESISTANT & SOUND / VIBRATION INSULATION RESULTS, EVEN UNDER HARD SURFACE FLOORING FOR CONCRETE OR WOOD-FRAMED CONSTRUCTION. TILE TECH SOUND PAD IS COMPOSED OF 92% RECYCLED RUBBER AND COMES IN 8 INCH BY 8 INCH BY 0.50 INCH THICK SPECIFICALLY DESIGNED FOR UNDER THE HYBRID PEDESTALS SYSTEMS AND ARE COMPATIBLE WITH MOST SYNTHETIC EPDM AND PVC ADHESIVES APPROVED BY ROOFING MEMBRANE MFG.



**GENERAL NOTES: APPLY TO ALL OF THE ABOVE PRODUCTS**

1. INSTALLATION MUST BE COMPLETED IN ACCORDANCE WITH TILE TECH PAVERS PRODUCT SPECIFICATIONS.
2. DRAWING NOT TO SCALE.
3. USE OF BUFFER PADS IS MANDATORY.
4. CONTRACTOR'S NOTE: FOR PRODUCT AND COMPANY INFORMATION VISIT [www.TILETECHPAVERS.com](http://www.TILETECHPAVERS.com)